

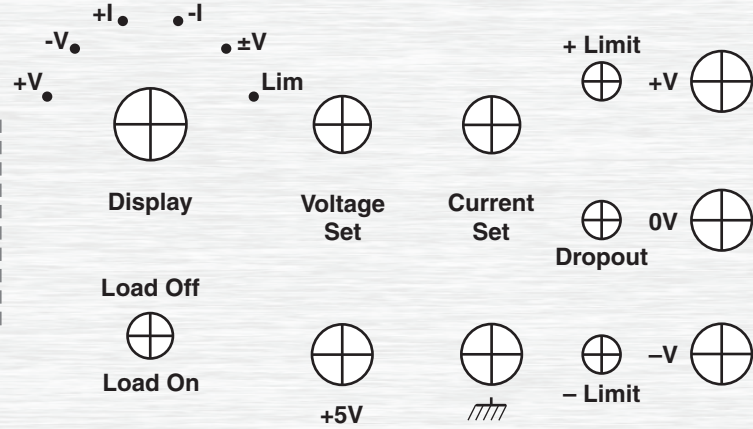
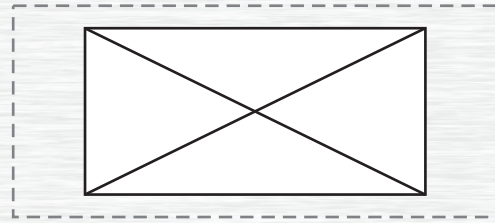
**SILICON
CHIP**

DUAL TRACKING SUPPLY

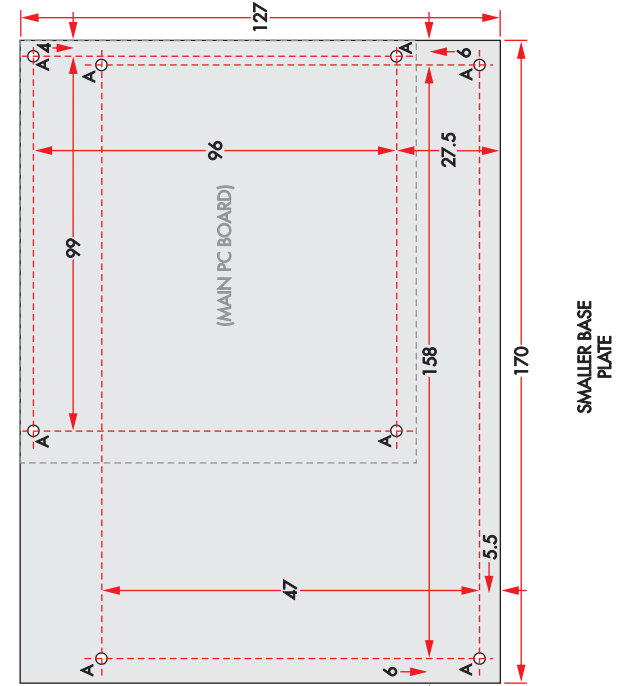
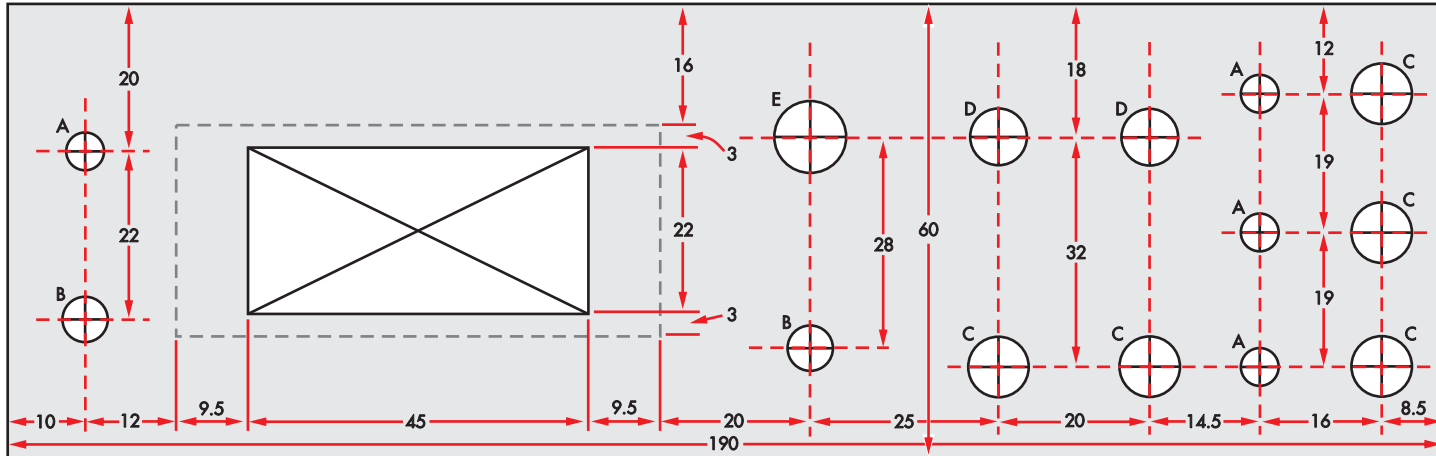
Power 

Off 

On 



HOLES A: 5.0mm DIAMETER HOLES B: 6.0mm DIAMETER HOLES C: 8.0mm DIAMETER HOLES D: 7.5mm DIAMETER HOLE E: 9.5mm DIAMETER ALL DIMENSIONS IN MILLIMETRES



(BOTH PLATES SHOWN 50% FULL SIZE)

HOLES A: 3.0mm DIA.
HOLES B: 4.0mm DIA.

ALL DIMENSIONS IN MILLIMETRES

SMALLER BASE PLATE