

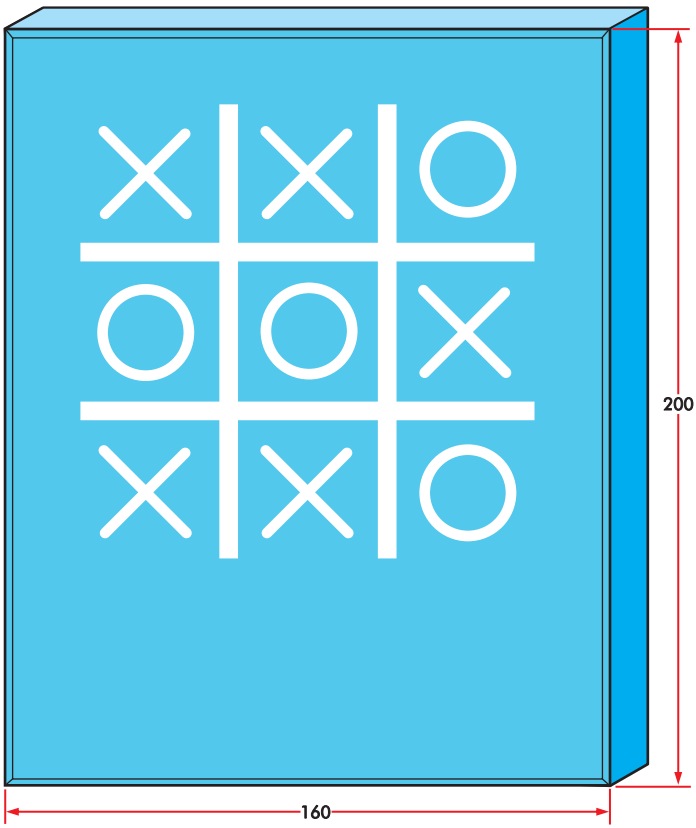
HOLES A: DRILLED 8mm INTO
UNDERSIDE & TAPPED WITH
A 4-40 UNC THREAD

HOLES B: DRILLED 3mm DIAMETER

HOLES C: 3.1mm HOLES ON
a 20mm DIAMETER CIRCLE

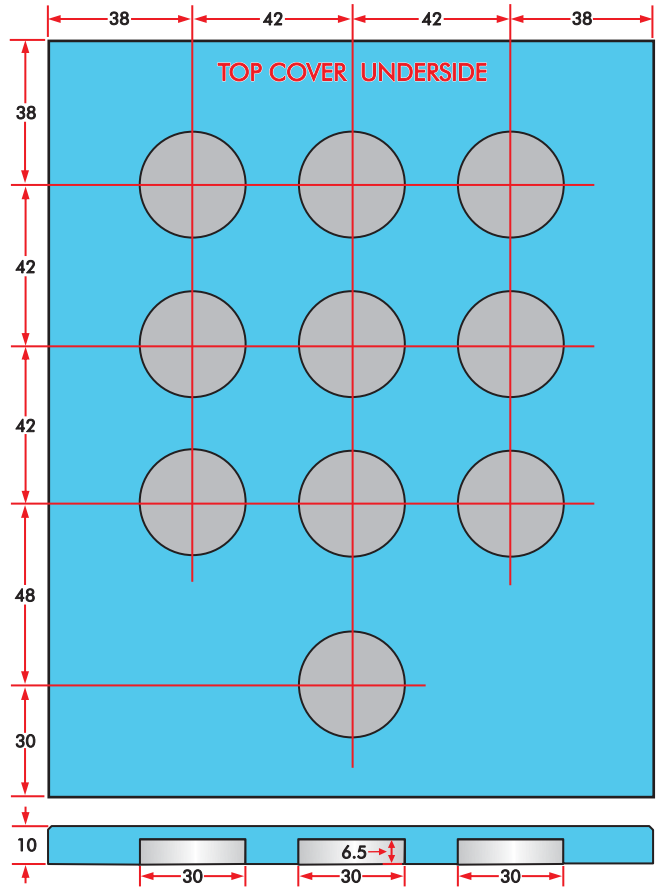
(SHOWN HERE AT 50% FULL SIZE)

ALL DIMENSIONS IN MILLIMETRES

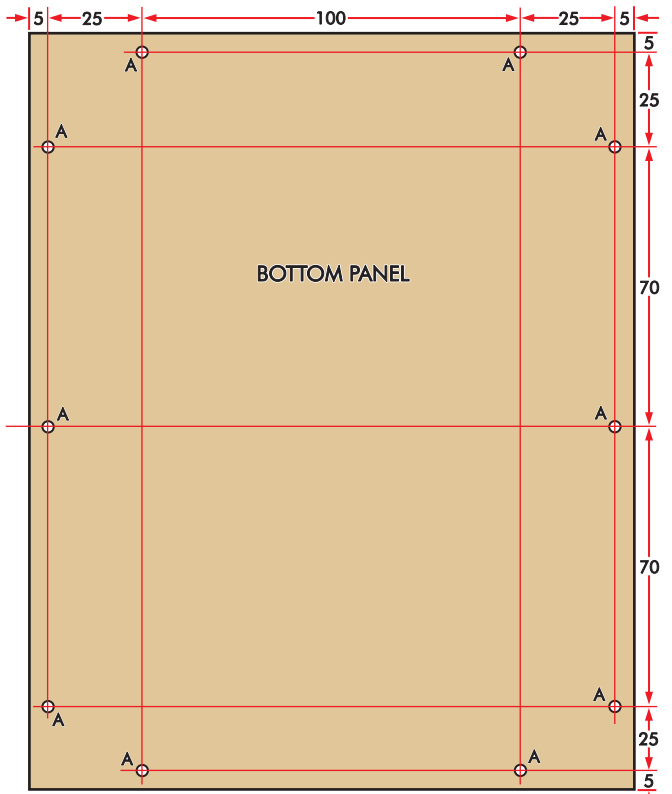
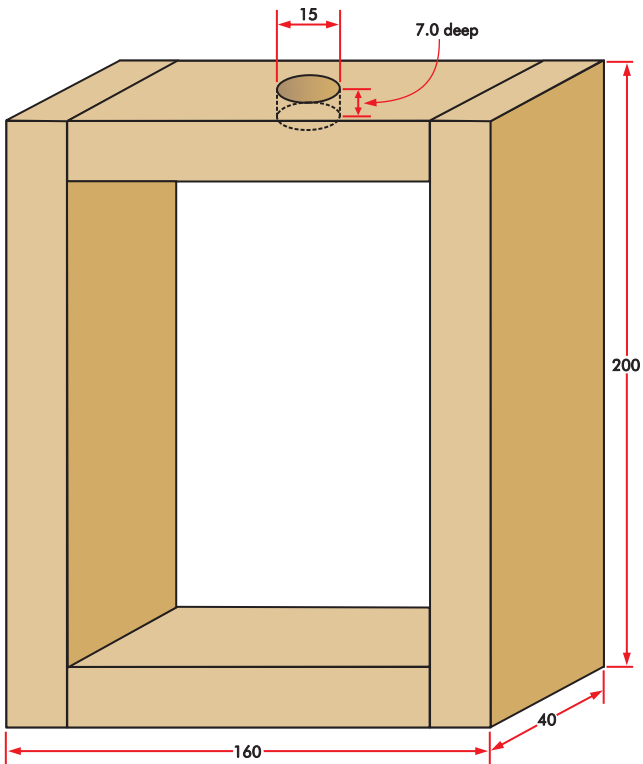


(SHOWN HERE AT 50% FULL SIZE)

ALL DIMENSIONS IN MILLIMETRES



ALL DIMENSIONS IN MILLIMETRES



HOLES A: DRILLED 3mm DIAMETER

(SHOWN HERE AT 50% FULL SIZE)