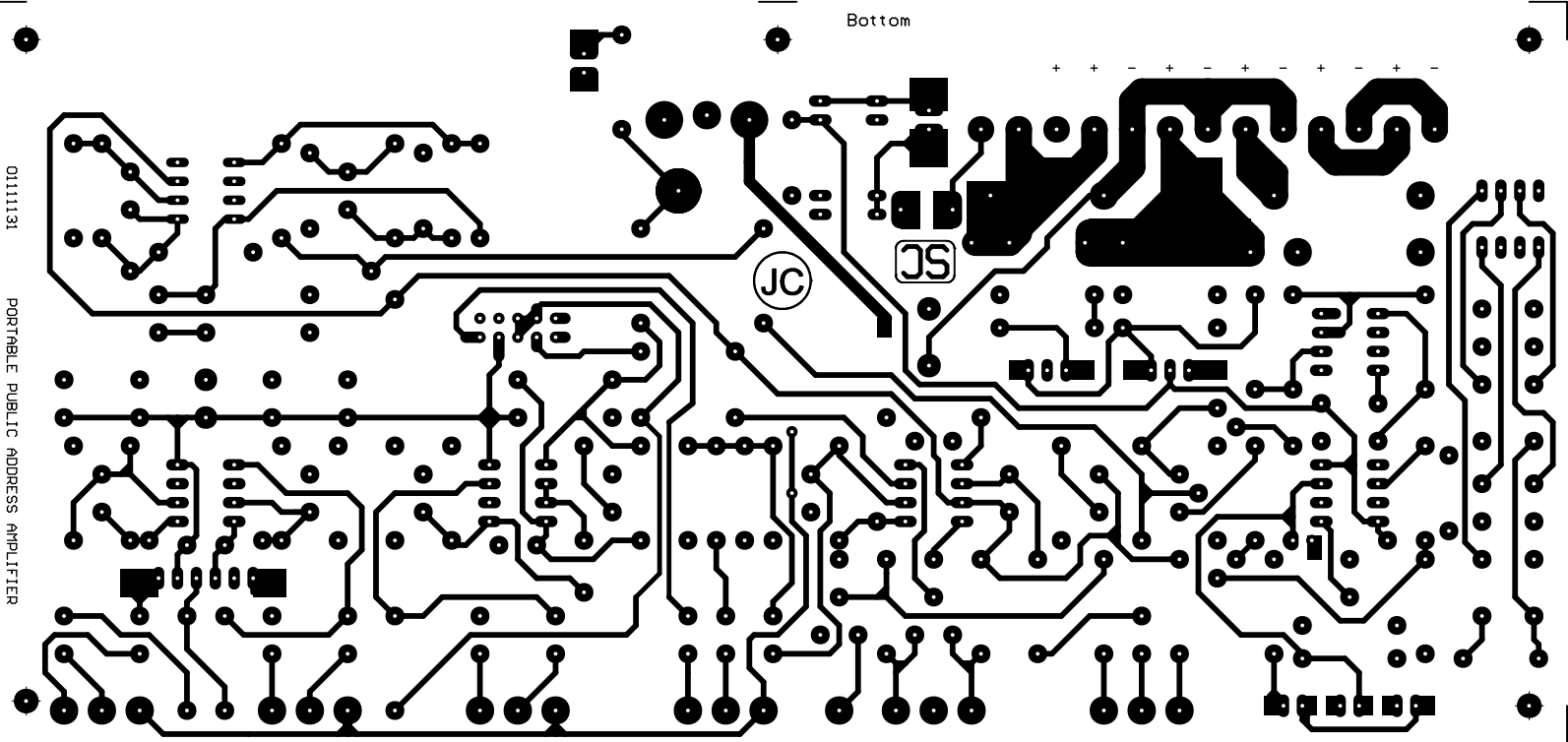


01111131

PORTABLE PUBLIC ADDRESS AMPLIFIER



Top

