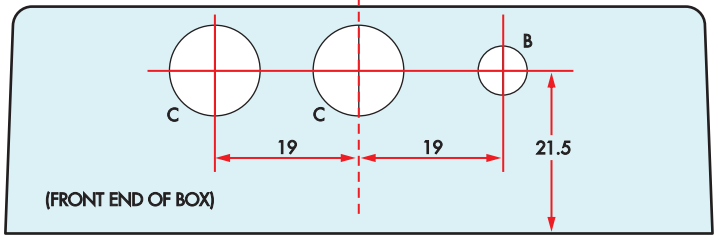
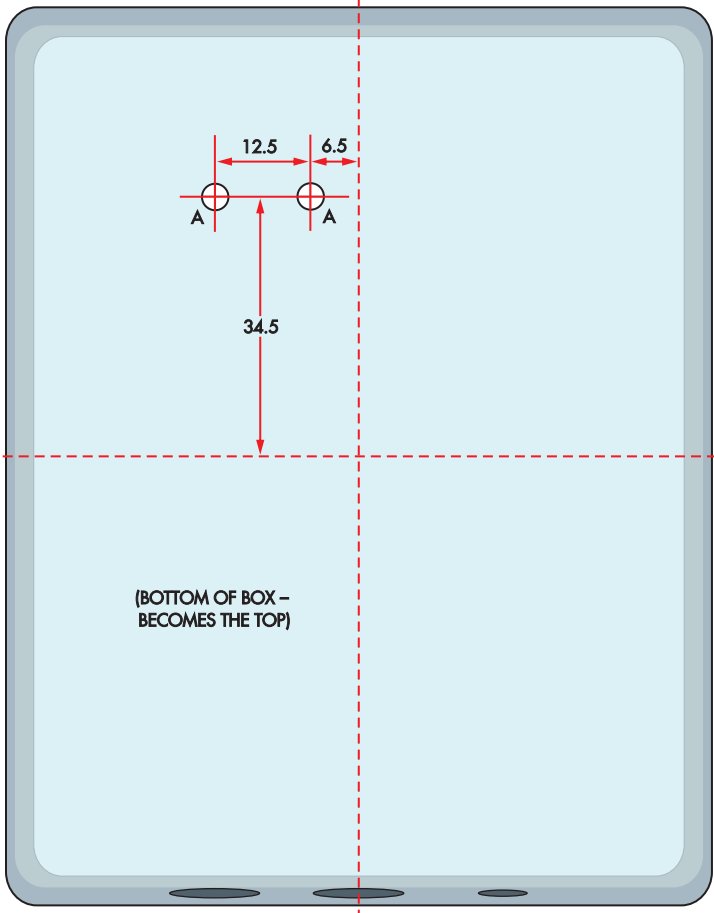
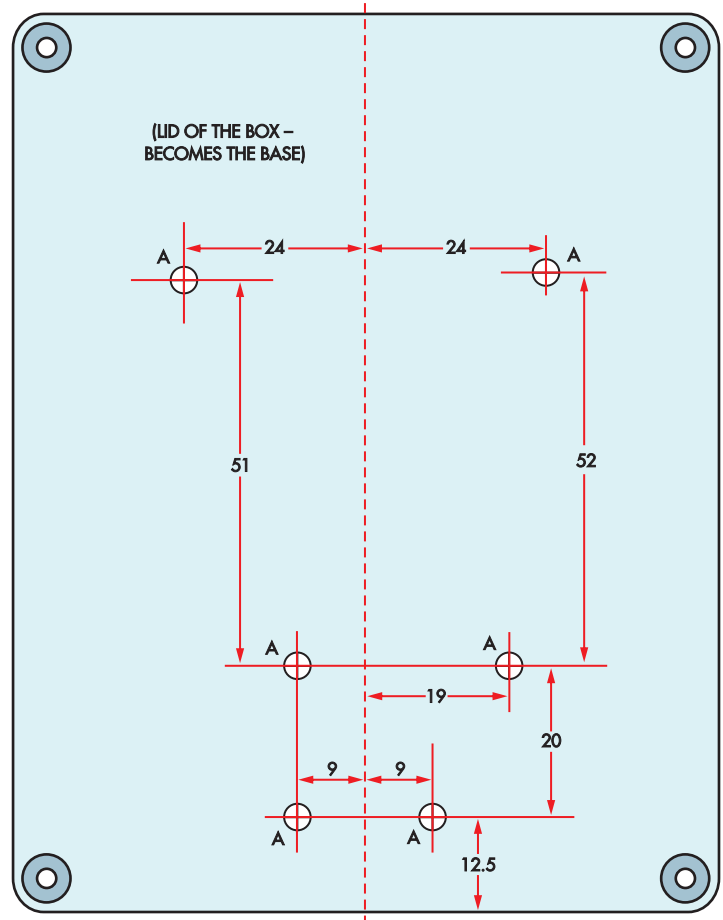


ALL DIMENSIONS IN MILLIMETRES



HOLES A: 3.5mm DIAMETER HOLE B: 6.5mm DIAMETER HOLES C: 12.0mm DIAMETER



HOLES A: 3.5mm DIAMETER

ALL DIMENSIONS IN MILLIMETRES