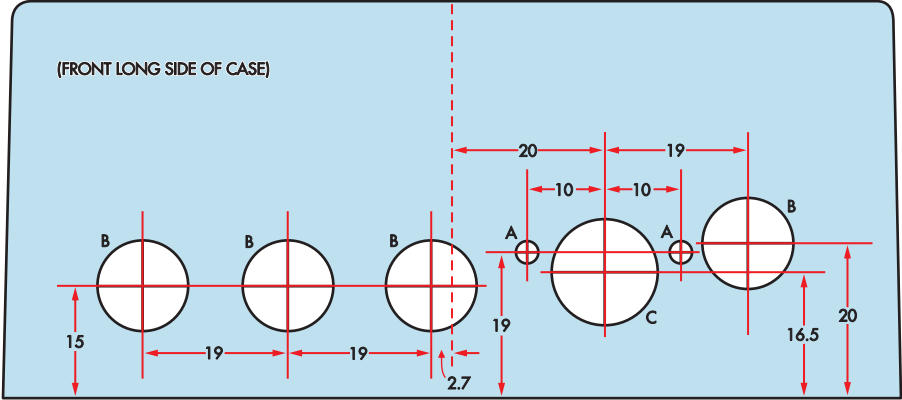


ALL DIMENSIONS IN MILLIMETRES



HOLES A: 3.5mm DIAMETER; HOLES B: 12.0mm DIAMETER; HOLE C: 14.0mm DIAMETER