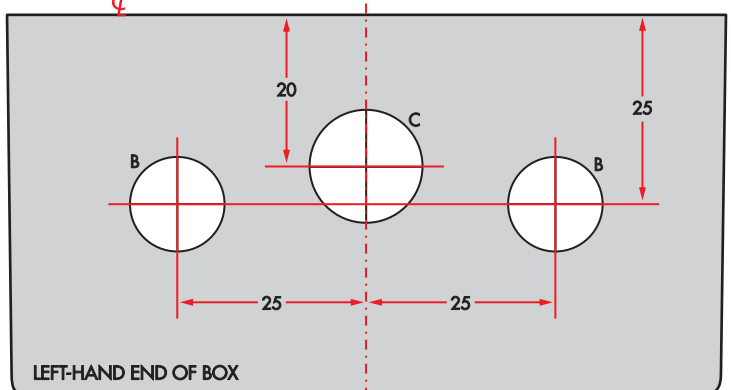


HOLES A: 3.0mm DIAMETER HOLES B: 12.5mm DIAMETER  
 HOLE C: 15mm DIAMETER HOLES D: 3.5mm DIAMETER  
 HOLES E: 4.0mm DIAMETER



⌀ ALL DIMENSIONS IN MILLIMETRES