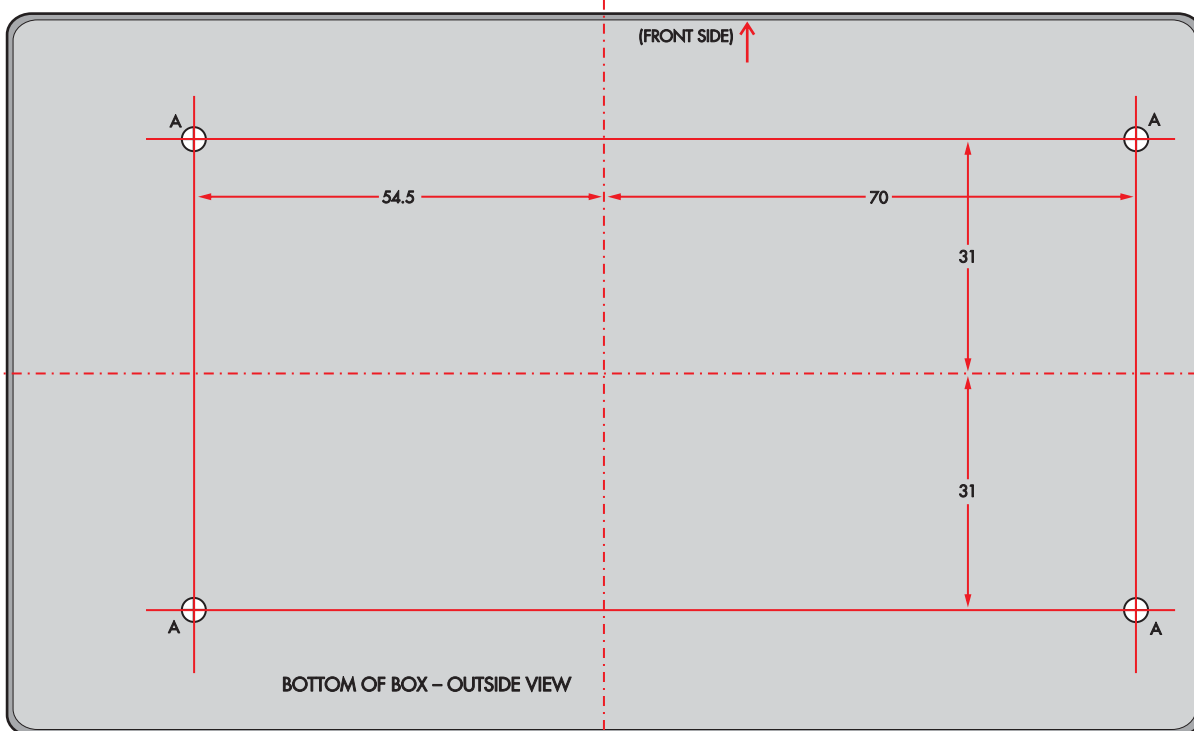
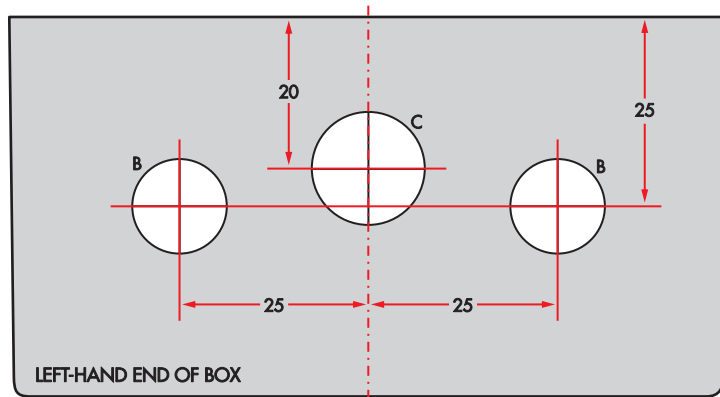


HOLES A ARE ALL 3.0mm IN DIAMETER

ALL DIMENSIONS IN MILLIMETRES

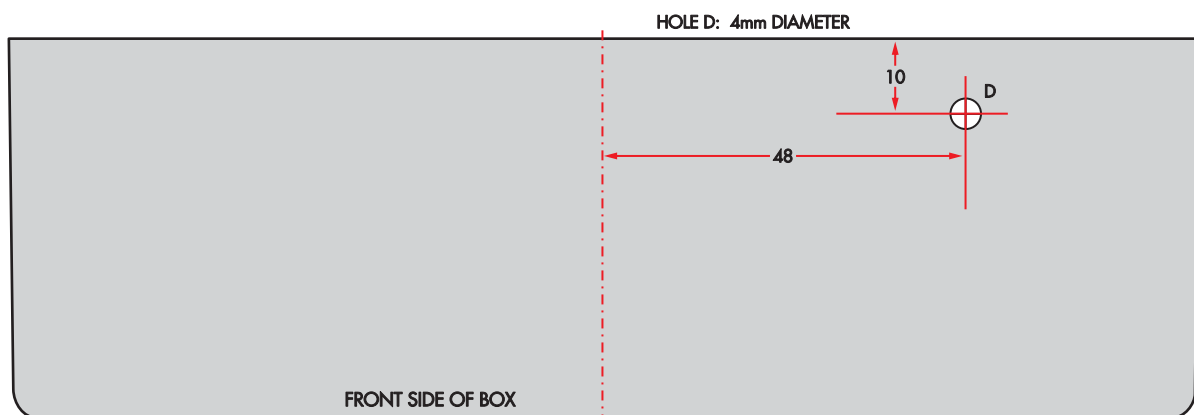
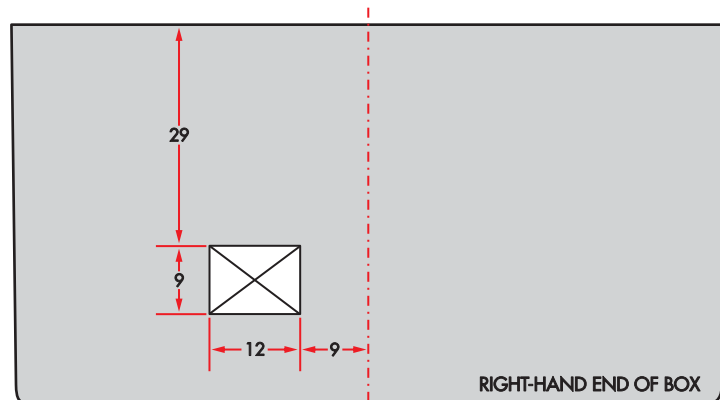




HOLES B: 12.5mm DIAMETER  
 HOLE C: 15mm DIAMETER



ALL DIMENSIONS  
 IN MILLIMETRES



HOLE D: 4mm DIAMETER

