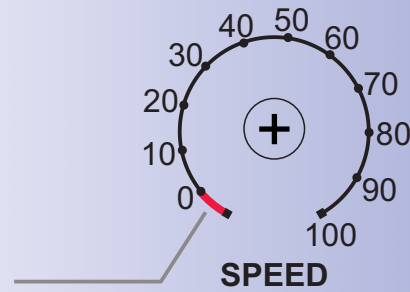


0-230V DC  
Output

Power

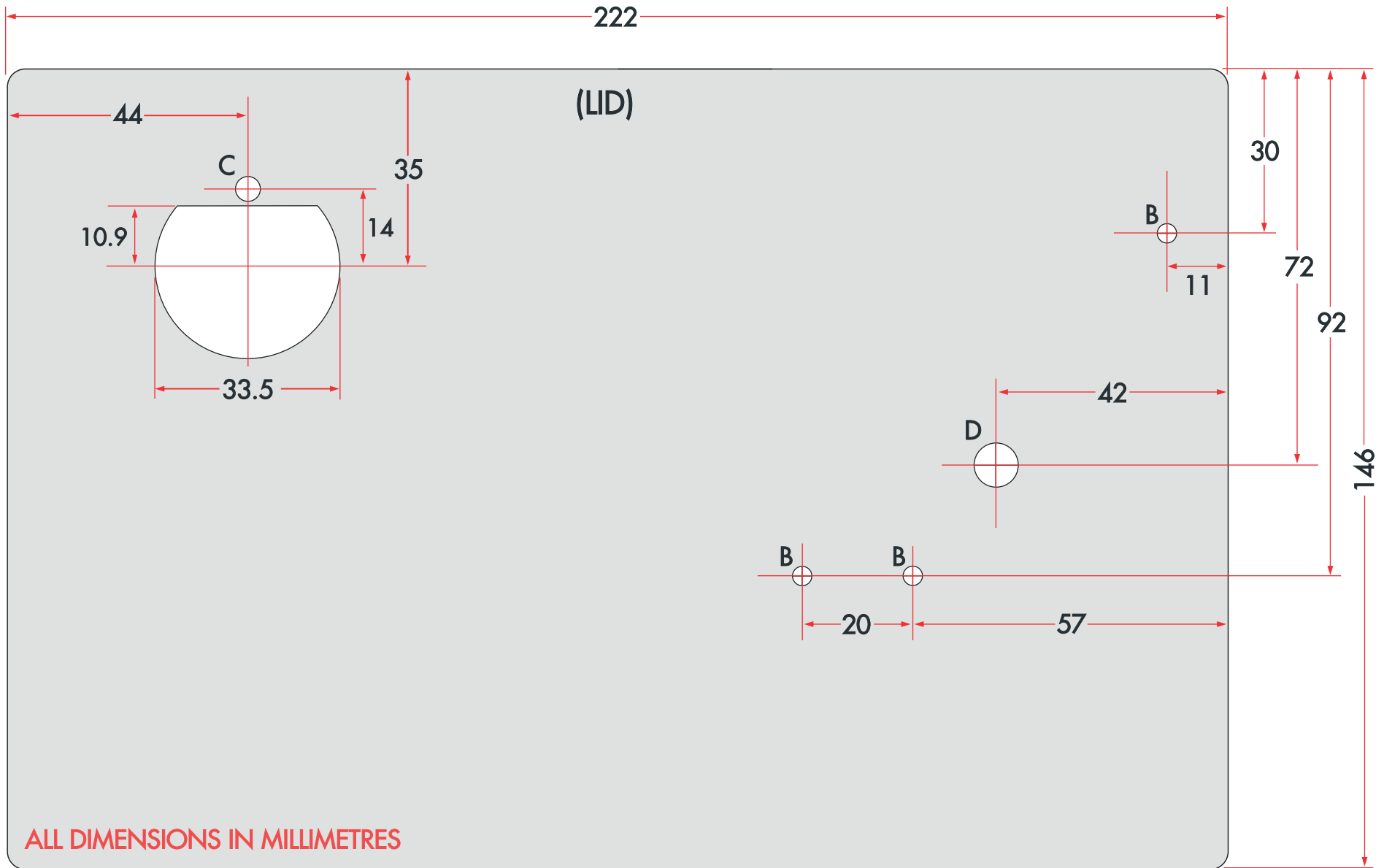
***SILICON CHIP***  
**180V DC MOTOR CONTROLLER**



Reset    Run

**WARNING!**

This Speed Controller circuit operates directly from the 230VAC mains supply and contact with live components and exposed connections can be lethal, unless disconnected from the mains.



Holes B: 3.5mm diam. Hole C: 4.5mm diam. Hole D: 8mm diam.

