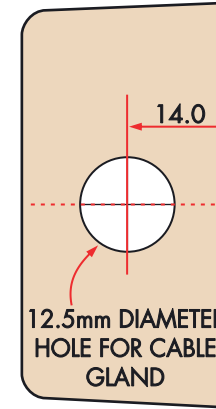


LID/FRONT PANEL

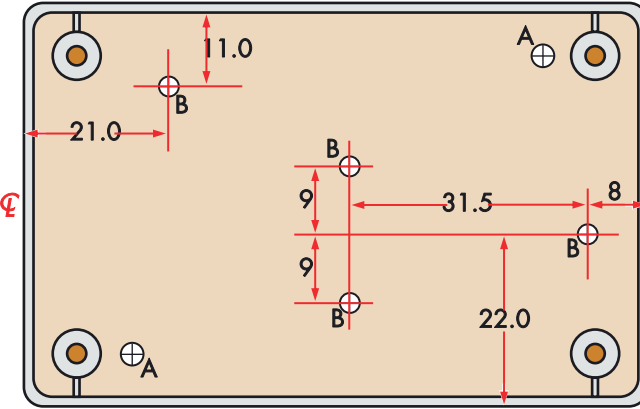
HOLES A: 3.0mm DIAMETER



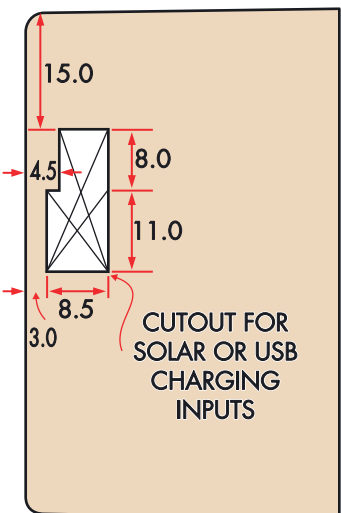
LID OF BOX



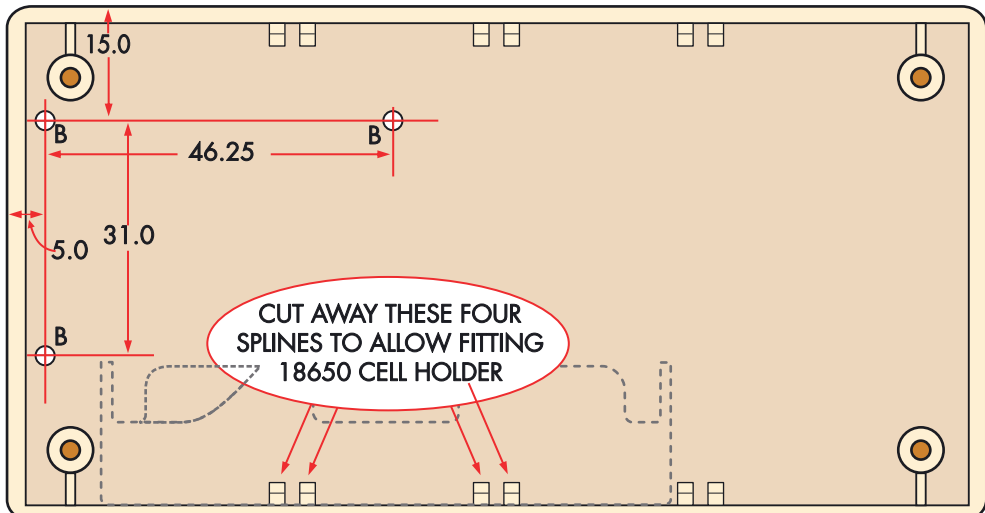
LEFT-HAND END



INSIDE OF BOX

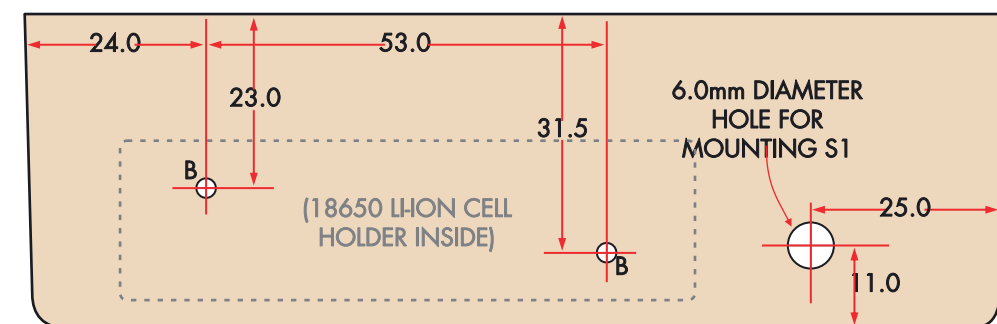


LEFT-HAND END

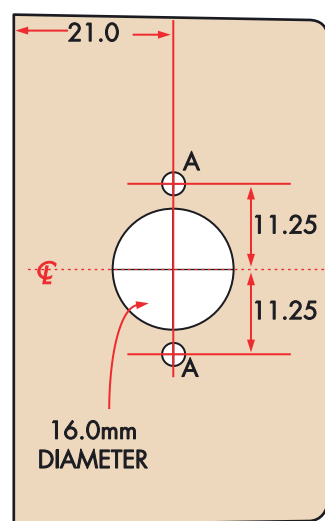


INSIDE OF BOX

HOLES B: 2.5mm



FRONT SIDE



RIGHT-HAND END