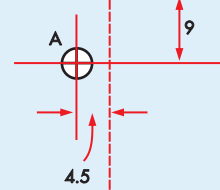


(LH END OF BOX)

(LH END)

(FRONT SIDE OF BOX)

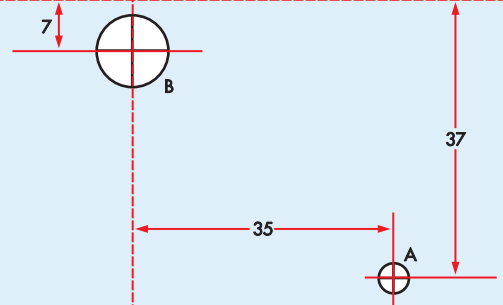
(RH END)



(TOP OF LID)

HOLE SIZES:  
 HOLES A: 4.0mm DIAMETER  
 HOLE B: 9.5mm DIAMETER  
 HOLES C: 15.0mm DIAMETER  
 HOLE D: 12.5 x 12.0mm  
 HOLE E: 9.0mm DIAMETER

☒



(REAR SIDE OF BOX)

(RH END)

(LH END)

