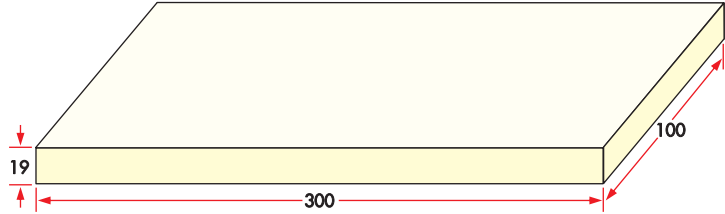
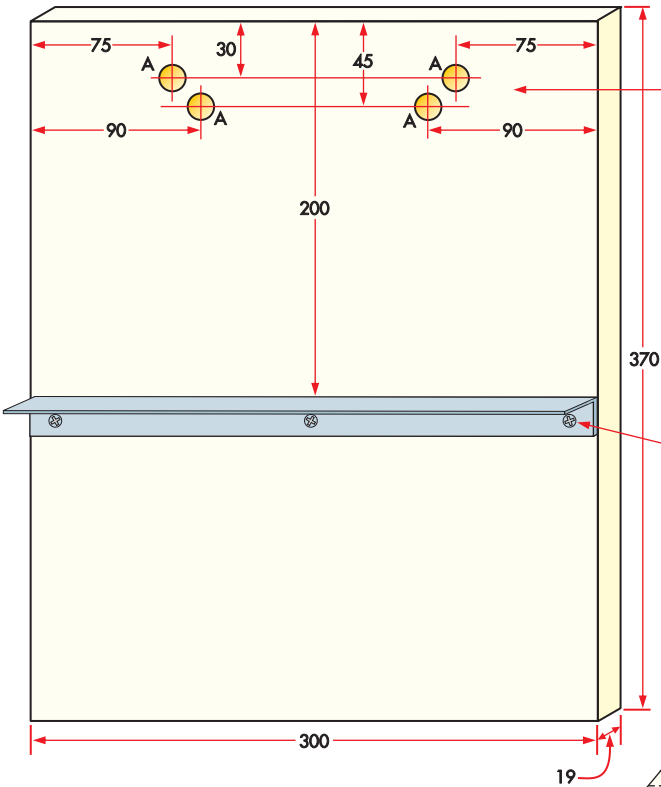
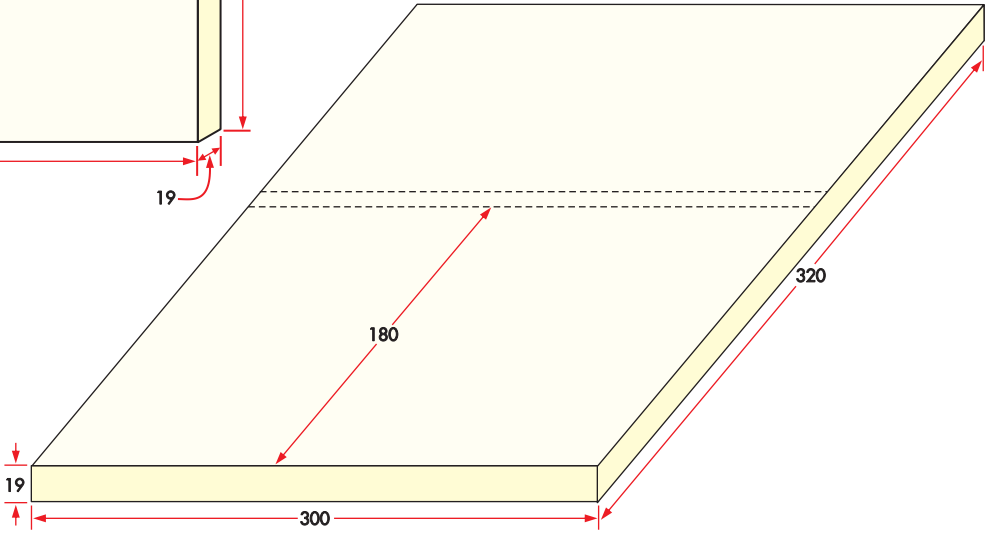


ALL DIMENSIONS ARE IN MILLIMETRES  
(SHOWN HERE AT 25% ACTUAL SIZE)

HOLES A ARE 13mm IN DIAMETER



300mm LENGTH OF 50 x 50 x 1.6mm ALUMINIUM ANGLE  
(BOLTED TO VERTICAL PANEL)



DRILLING FOR CASE LID  
HOLES A ARE ALL 22mm IN DIAMETER  
(SHOWN HERE AT ACTUAL SIZE)  
**ALL DIMENSIONS ARE IN MILLIMETRES**

