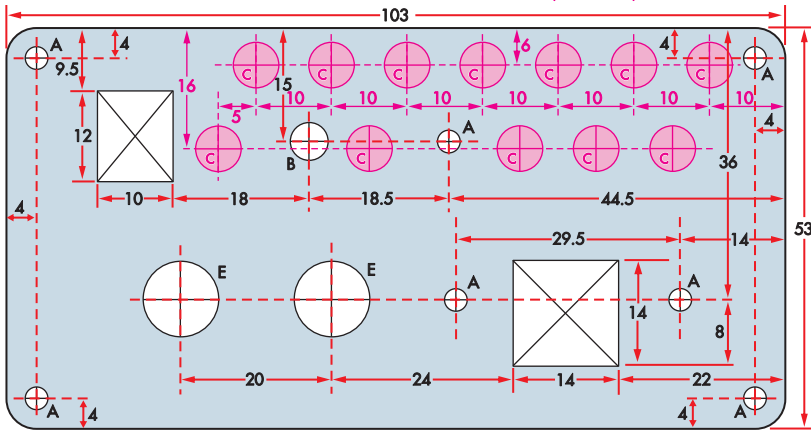


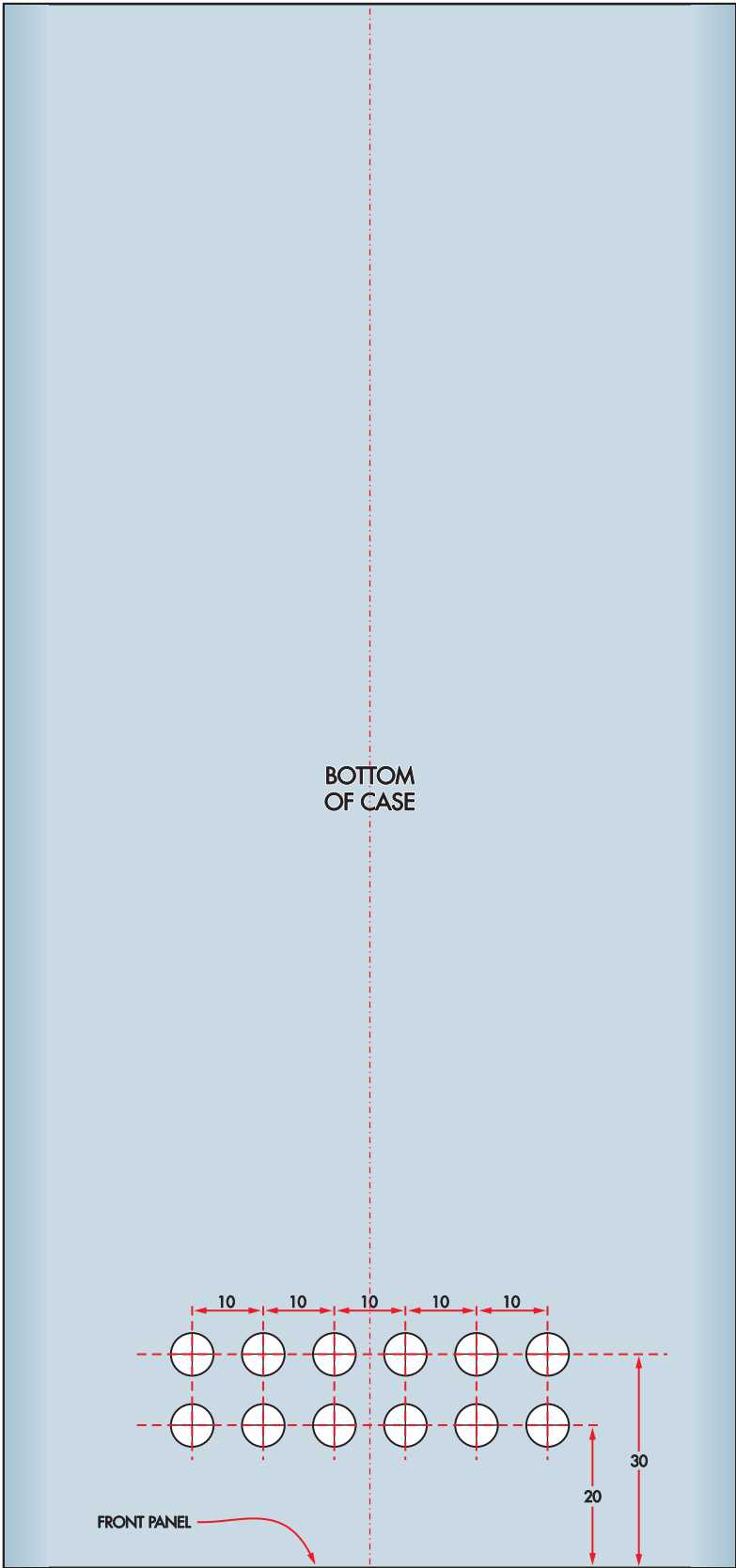
FRONT PANEL

HOLES A: 3.0mm DIAMETER HOLES B: 5.0mm DIAMETER HOLES C: 6.0mm DIAMETER
 HOLE D: 7.5mm DIAMETER HOLES E: 10.0mm DIAMETER HOLES F: 12.0mm DIAMETER
 NOTE: HOLES C ARE FOR IMPROVED VENTILATION (OPTIONAL)



REAR PANEL

ALL DIMENSIONS IN MILLIMETRES



ALL 12 HOLES ARE 6.0mm IN DIAMETER



ALL DIMENSIONS IN MILLIMETRES