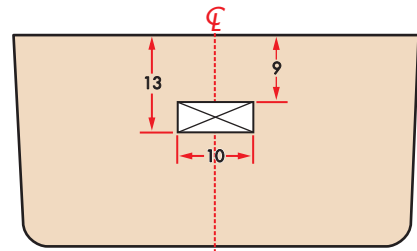
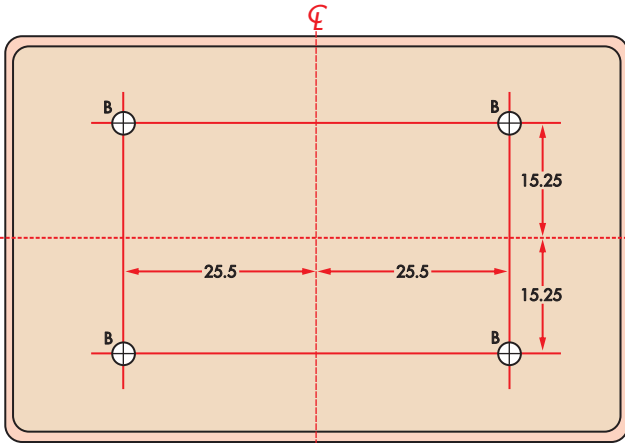


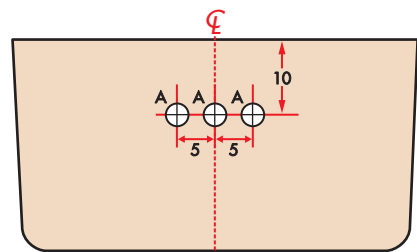
(REAR OF BOX)



(LEFT HAND END OF BOX)



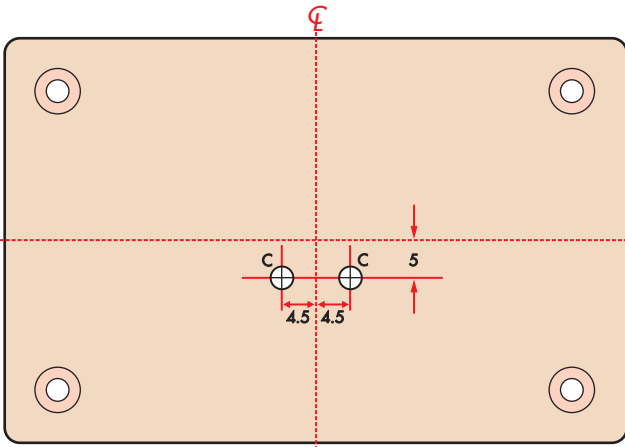
(UNDERSIDE OF BOX)



(RIGHT HAND END OF BOX)

ALL DIMENSIONS IN MILLIMETRES

HOLES A: 3.0mm DIAMETER TO SUIT LEADS
 HOLES B: 3.0mm DIAMETER TO SUIT M3 SCREWS
 HOLES C: 3.0mm DIAMETER TO CLEAR LEADS



(LID)