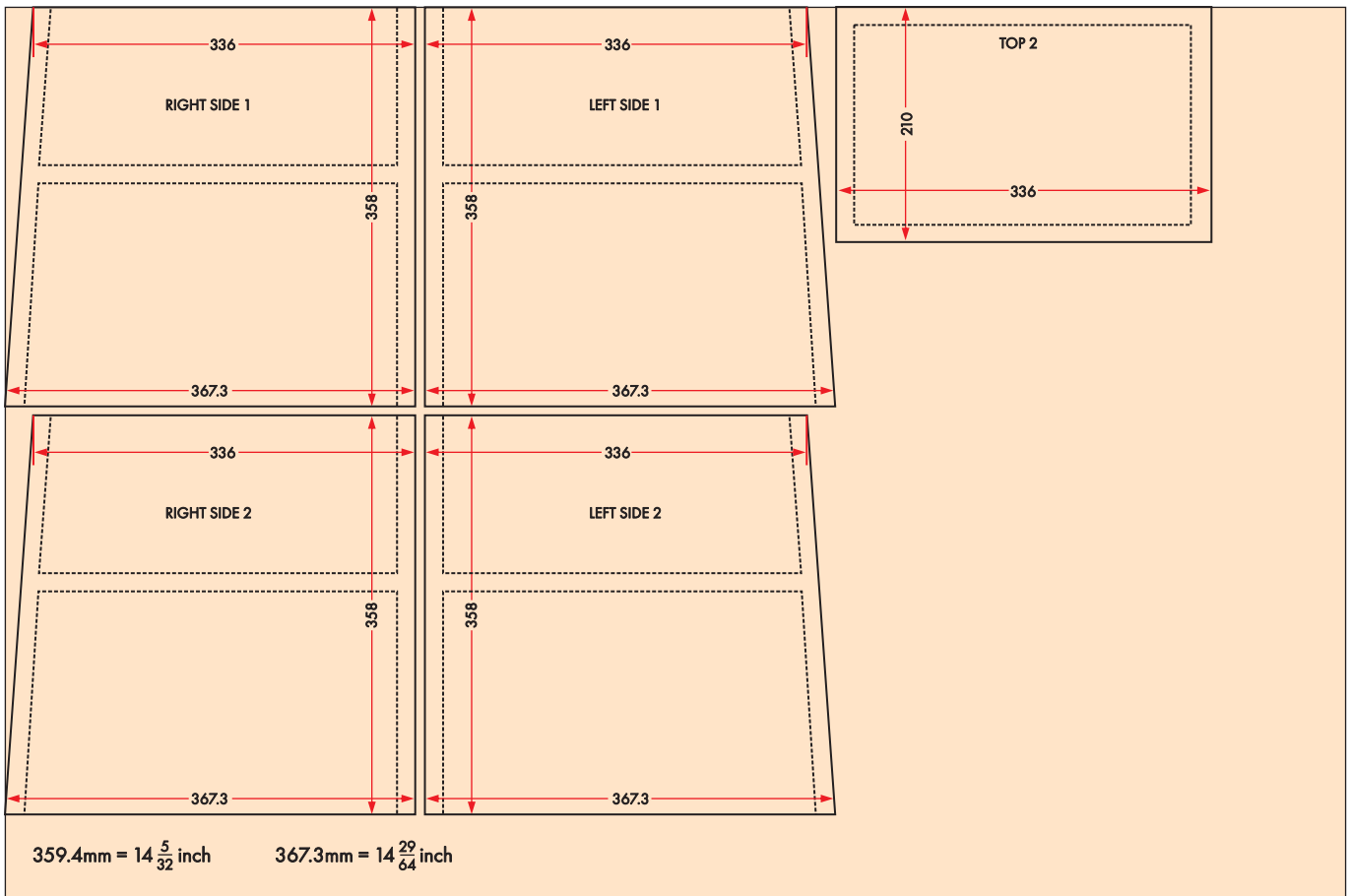


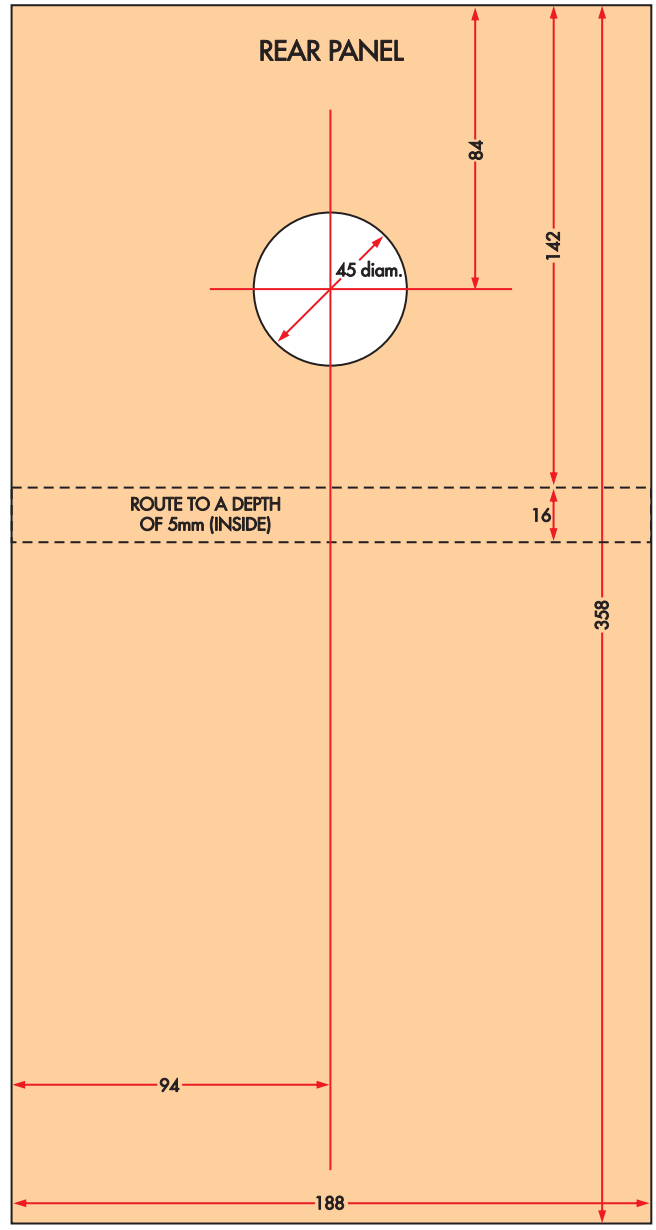
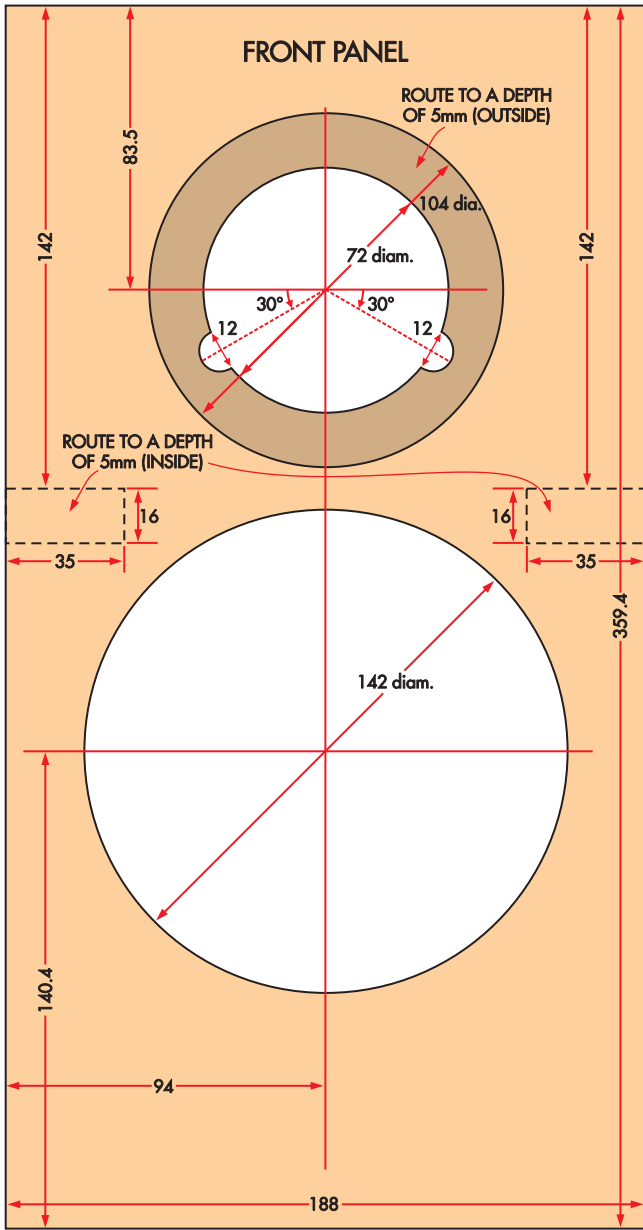
SHEET 1 (600 x 1200)

(SHOWN HERE AT 15% OF FULL SCALE)



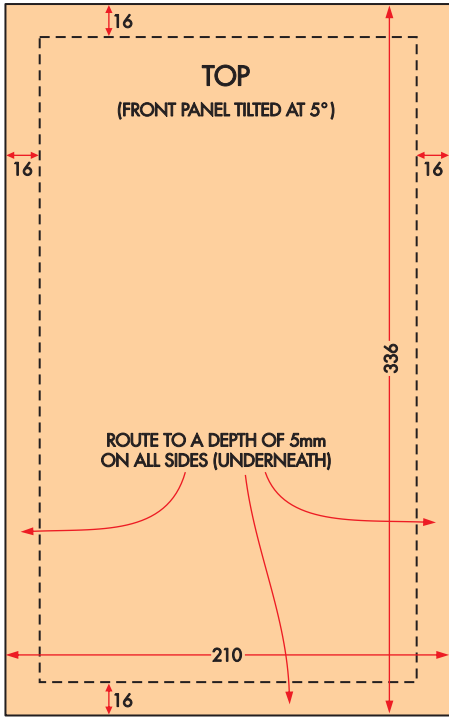
SHEET 2 (800 x 1200)

ALL DIMENSIONS IN MILLIMETRES

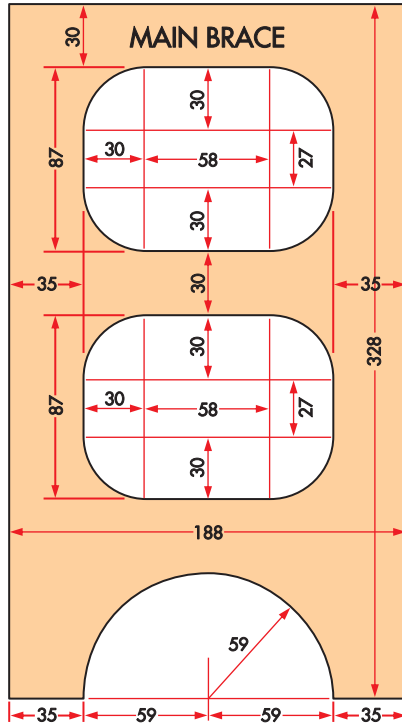


(PANELS DRAWN HERE AT 45% OF FULL SIZE)

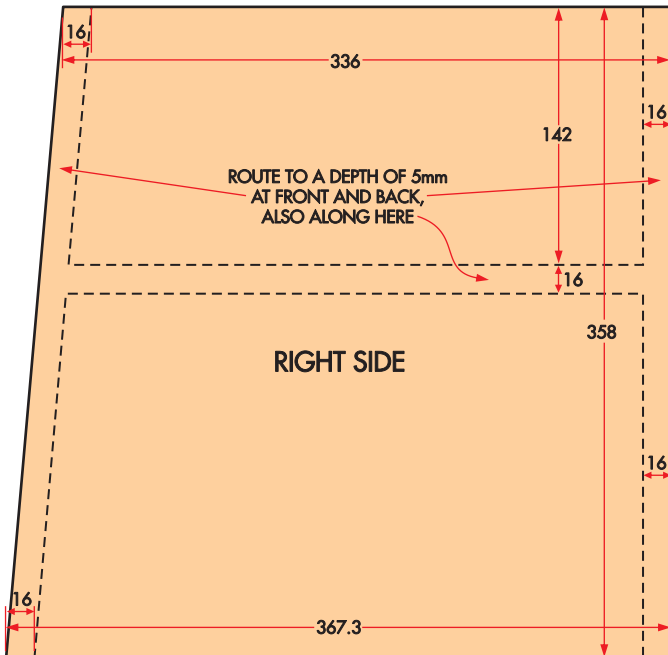
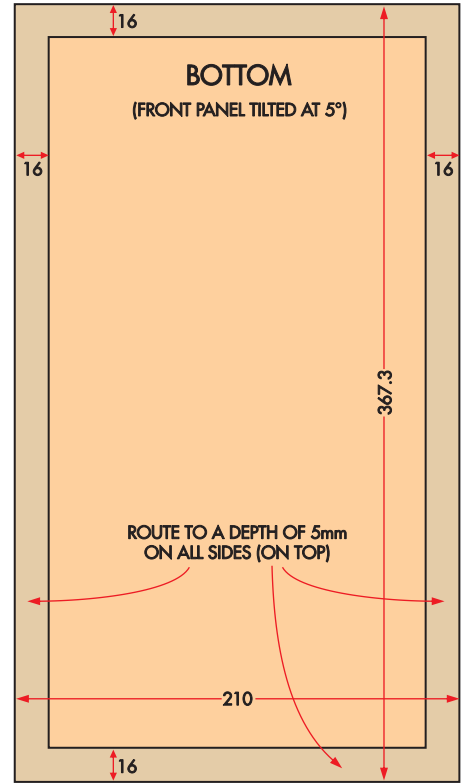
ALL DIMENSIONS IN MILLIMETRES



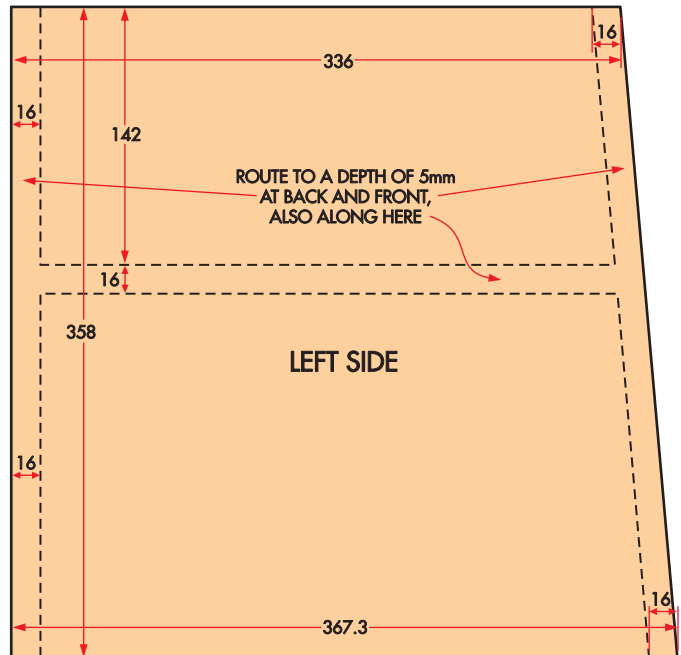
(DRAWN HERE AT 28% OF FULL SIZE)



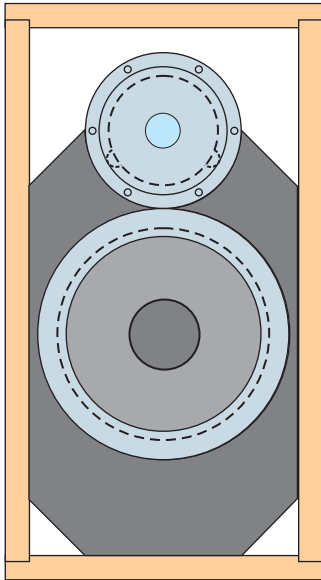
ALL DIMENSIONS IN MILLIMETRES



(DRAWN HERE AT 24% OF FULL SIZE)

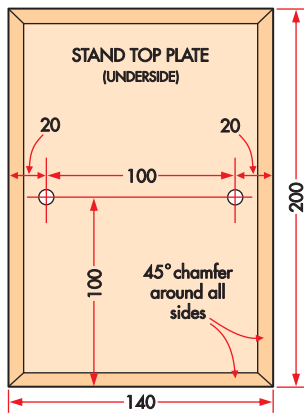
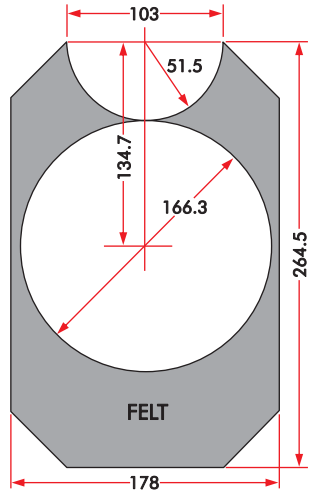


ALL DIMENSIONS IN MILLIMETRES



134.7mm = $\frac{19}{64}$ inch
 166.3mm = $\frac{39}{64}$ inch

ALL DIMENSIONS
 IN MILLIMETRES



ALL STAND COMPONENTS
 SHOWN HERE AT 25%
 OF FULL SIZE

ALL DIMENSIONS ARE
 IN MILLIMETRES

