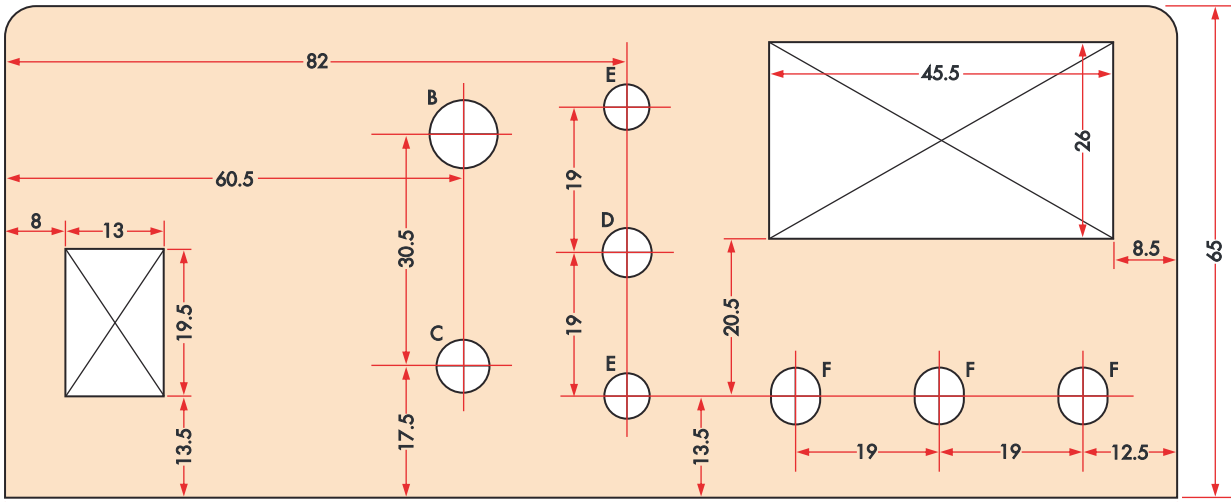
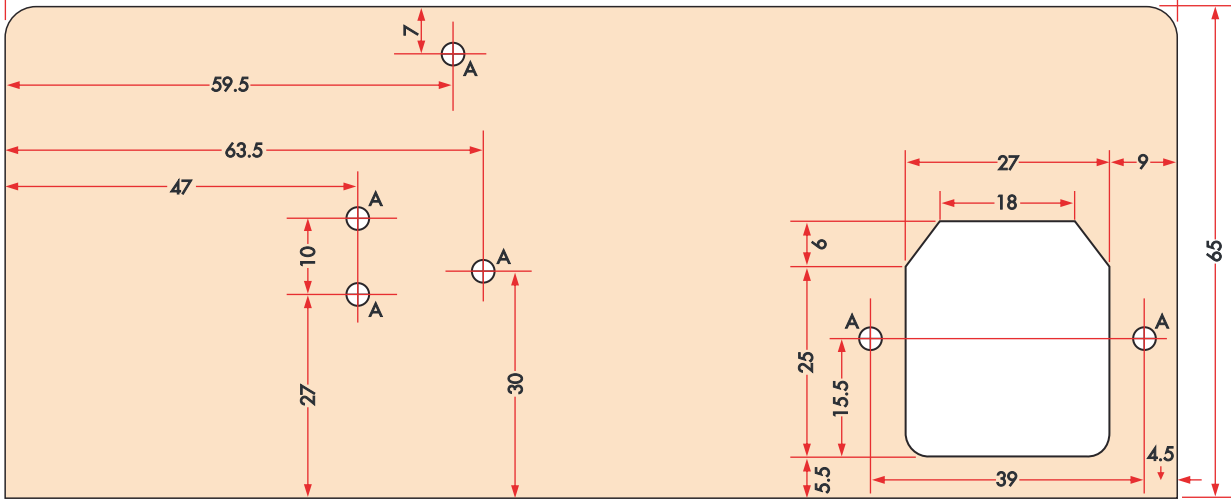


HOLE C: 7.0mm DIAMETER
 HOLES F: 6.5mm WIDE x 7.5mm HIGH



FRONT PANEL

HOLES A: 3.0mm DIAMETER
 HOLE D: 6.5mm DIAMETER
 HOLE B: 9.0mm DIAMETER
 HOLES E: 6.0mm DIAMETER



REAR PANEL (OUTSIDE)

ALL DIMENSIONS IN MILLIMETRES